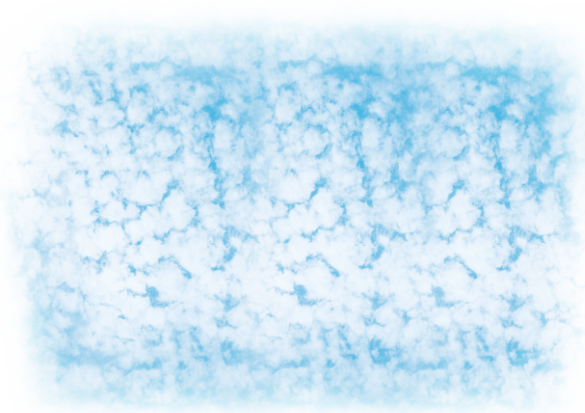


Butterfly Valve TECHNICAL BULLETIN

2

MICRO PNEUMATICS PVT. LTD.



Micro Pneumatics Pvt. Ltd., an indigenous venture commenced operation at Vasai Road in 1986 with pneumatic rotary actuators and later ball valves. Further with the addition of butterfly valves and dampers, Micro Pneumatics Pvt. Ltd. is now also manufacturer of high performance universal wafer butterfly valves in addition to ball valves. These high performance butterfly valves can be installed between any flange standard.

High performance butterfly valves include multiple eccentric design, split shaft, aerodynamic slim disc and deflecting, flex, rise and fall seat embedded between the body and the retainer. For maintenance, these valves are low down time serviceable as the seat is easily replaceable by just removing the retainer. The disc and the automation remain intact. The process line resultant pressure is nullified and peripherally acting due to disc design and light weight. This enables economic actuator selection. These are comparably low pressure loss butterfly valves. The high performance multi eccentric butterfly valves achieves tight shut-off, vacuum and high gain, full range throttling capabilities.

Micro high performance wafer butterfly valves provide long-lasting tight shut-off and a long service life due to non-rubbing of seat placement away from flow.

Micro manufactures it's own valves, actuators, solenoid valves and position indicators.

Micro Pneumatics Pvt. Ltd. is a single-stop source responsibility. The procurement of valves, actuators and accessories, completely from single-stop source.

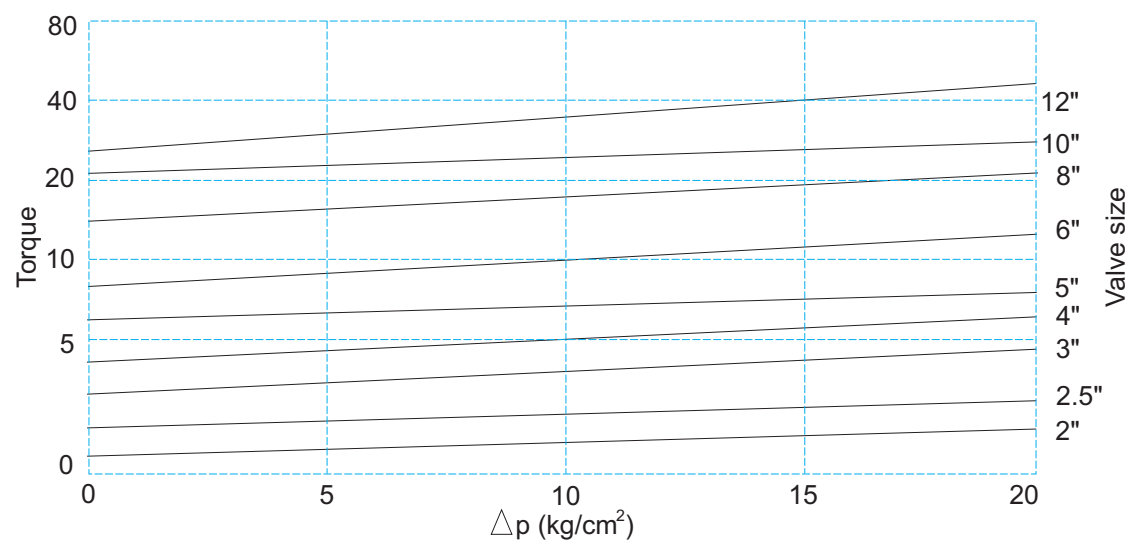
Valve Capacity Data (USGPM)

MICRO Butterfly Valves are designed for optimum capacity of the valve with minimum possible resistance (Δp)

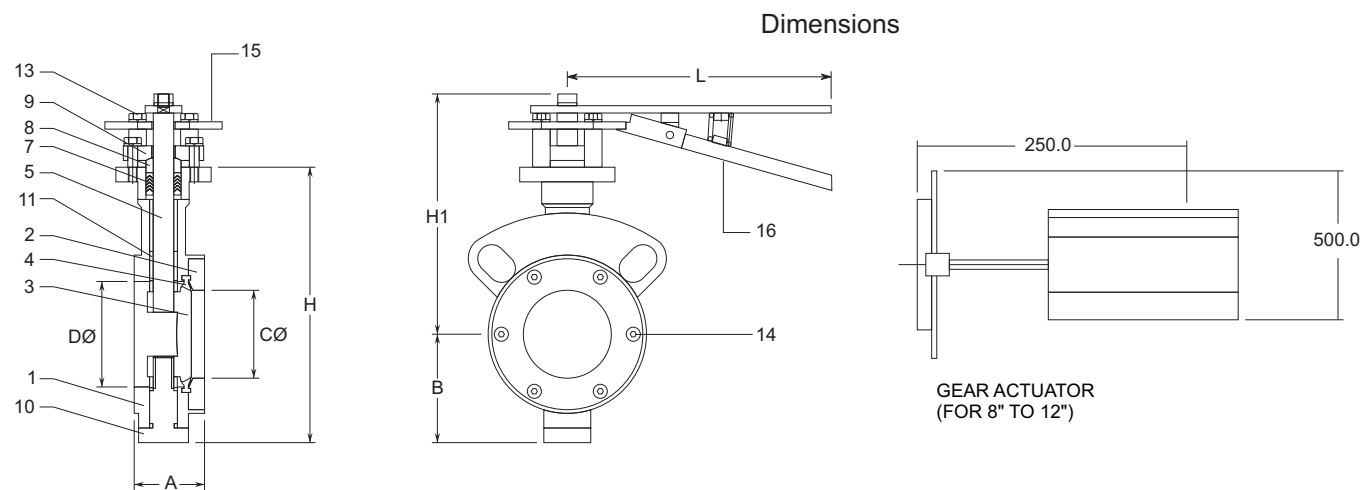
Valve Size	1.5"	2"	2.5"	3"	4"	5"	6"	8"	10"	12"
Cv	82.90	152.50	215.00	312.00	620.00	915.00	1270.00	2295.00	3570.00	5350.00

Valve Torque Data (Kg-M)

Micro Butterfly Valves are designed as low torque valves. The torque chart is a guide for actuator selection. Actuator selection to be done considering factor of safety depending upon service conditions, generally selecting a higher size actuator.



Wafer Type (ANSI 150#)



Valve Size	A	B	CØ	DØ	H	H1	L	Wt. (Kgs)
1.5"	42.0	42.0	35.0	52.0	129.0	121.0	200.0	1.5
2"	45.0	68.0	51.0	60.0	163.0	145.0	250.0	2.2
2.5"	48.0	74.0	60.0	72.0	188.0	165.0	250.0	3.2
3"	48.0	90.0	72.0	85.0	200.0	170.0	300.0	3.8
4"	54.0	95.0	100.0	110.0	228.0	195.0	300.0	5.5
5"	57.0	115.0	123.0	135.0	267.0	220.0	300.0	8.0
6"	57.0	131.0	143.0	152.0	299.0	235.0	300.0	10.0
8"	64.0	157.0	192.0	200.0	345.0	250.0	500.0	14.5
10"	72.0	184.0	239.0	250.0	408.0	301.0	500.0	29.0
12"	81.0	212.0	290.0	300.0	477.0	350.0	600.0	38.0

Lug Type (ANSI 150#)

Valve Size	A	B	CØ	DØ	H	H1	L	N	P.C.D.	LØ	Wt. (Kgs)
1.5"	42	42	35	52	129.0	121.0	200.0	4.0	98.40	16	1.75
2"	45	55	45	62	159.0	141.0	250.0	4.0	120.65	16	2.55
2.5"	48	65	60	76	175.0	155.0	250.0	4.0	139.70	19	3.75
3"	48	75	75	88	195.0	165.0	300.0	4.0	152.40	19	4.50
4"	54	97	98	110	230.0	178.0	300.0	8.0	190.50	19	6.15

Bill Of Material

SR	COMPONENT	MATERIAL
1	Body	C I/WCB/CF8/CF8M
2	Retainer	CF8/CF8M
3	Flap	CF8/CF8M
4	Seat	P.T.F.E.
5	D. Shaft Bearing	A316/A304
6	Shaft Bearing	P.T.F.E.
7	Gland Packing	P.T.F.E.
8	Gland	A304

SR	COMPONENT	MATERIAL
9	Gland Follower	CF8/CF8M
10	Bottom Shaft Assembly	CF8/CF8M
11	Shaft Seal	P.T.F.E.
12	Lock Pin	A304/A316.
13	Bolts	A304
14	Cap Screws	A304
15	Indicator Plate	A304
16	Handle Assembly	Stainless Steel



MICRO PNEUMATICS PVT. LTD.

Regd. Office : 3, Maqsood Industrial Estate,
Marol Naka, Andheri (E), Mumbai - 400 059
Tel. : 91-22-2850 1429, 2850 4276
Fax : 91-22-2850 1429

Works & Marketing : Plot No. 133, Vasai Municipal
Indl. Area, Dhovali Village, Umela Phata, Papdy,
Vasai Road (W) - 401 207. Maharashtra
Tel/Fax : (0250) 232 0458, 62 / 232 4731, 41, 73
E-mail : micropneumatics@vsnl.net
website : micropneumatic.com